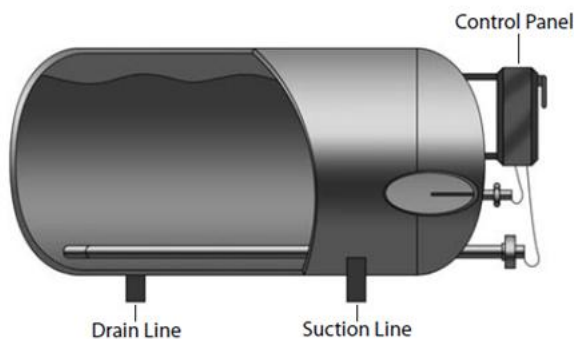


Use of Heater on Road Repairs

The dilemma facing the road repair companies is the particular difficulty to maintain the efficiency of work involving the road oil. The road oil such as asphalt are highly viscous product that are in a near solid state unless heated up constantly. The amount of time it takes to load the road oils into the container of the truck cuts into the efficiency of work considerably. The solution is to heat up the oil to decrease the viscosity so that the flow rate increases. It is done using the electric heaters that WATTCO™ manufactures.



The electric heaters are usually the preferred choice because of the difficulty that gas heaters present on producing a precision heat control. Added to that difficulty, the roadwork is usually performed on the road with all the equipment to go along with the dispatch trucks and the crew. The electric heaters are naturally best serving for the roadwork companies for its friendly nature of simplicity and mobility. The advantage of electric heaters over heaters operated by other power sources such as gas is apparent. The electric power is readily available through the vehicles unlike the gas heaters that require a huge gas container to go along with on the road. The electric heaters are simply convenient, efficient and safe over the gas heaters.

The primary focus of heaters in roadwork is about how to maintain the viscosity of the road oil at a desired level for most efficient flow. The asphalt, for example, needs to be ultimately poured upon the road and be solidified. Too much of heat would cause the asphalt to lose its coherency, and too little heat would cause it prematurely coagulated before the work is complete. After the asphalt is done, the roads must also be painted using asphalt paints to mark the lanes and shoulders. The best condition for the asphalt paint to work with is to keep it around 95°F. Moreover, the asphalt paint consists of mineral spirits working as a thinner so that the heating source must be explosive-resistant.

The use of immersion heaters justifies the concern raised above in number of ways. The electric power source is very safe to heat the flammable solution because the non-flame nature of the heating elements eliminates the risk of accidental explosion. More importantly, the flow of the solution is regulated by utilizing two heaters with separate temperature settings. The inlet of the joist dipped into

the paint container and the return pipeline connected at a higher temperature, the spray painting of the road is completed without much effort and the optimal efficiency of the overall workload is achieved through faster operation and minimal supervision.

The advantage of using WATTCO™ immersion heaters on the road repair works is enormous. The average load time for the road oil is reduced by hours while filling in the 20,000 gallons tank when the viscosity is significantly decreased by heating up the oil using the flanged heater. The simplicity of the setup and the virtually unattended operability is a huge plus when working on the road where the resources for the manpower is limited. More importantly, the required electric power source is already available on the equipment vehicles without any additional setup. More information can be found at: <http://www.wattco.com/immersion-heaters.html>.