

Control Option Multiple Stages, Single-Phase

Open Coil

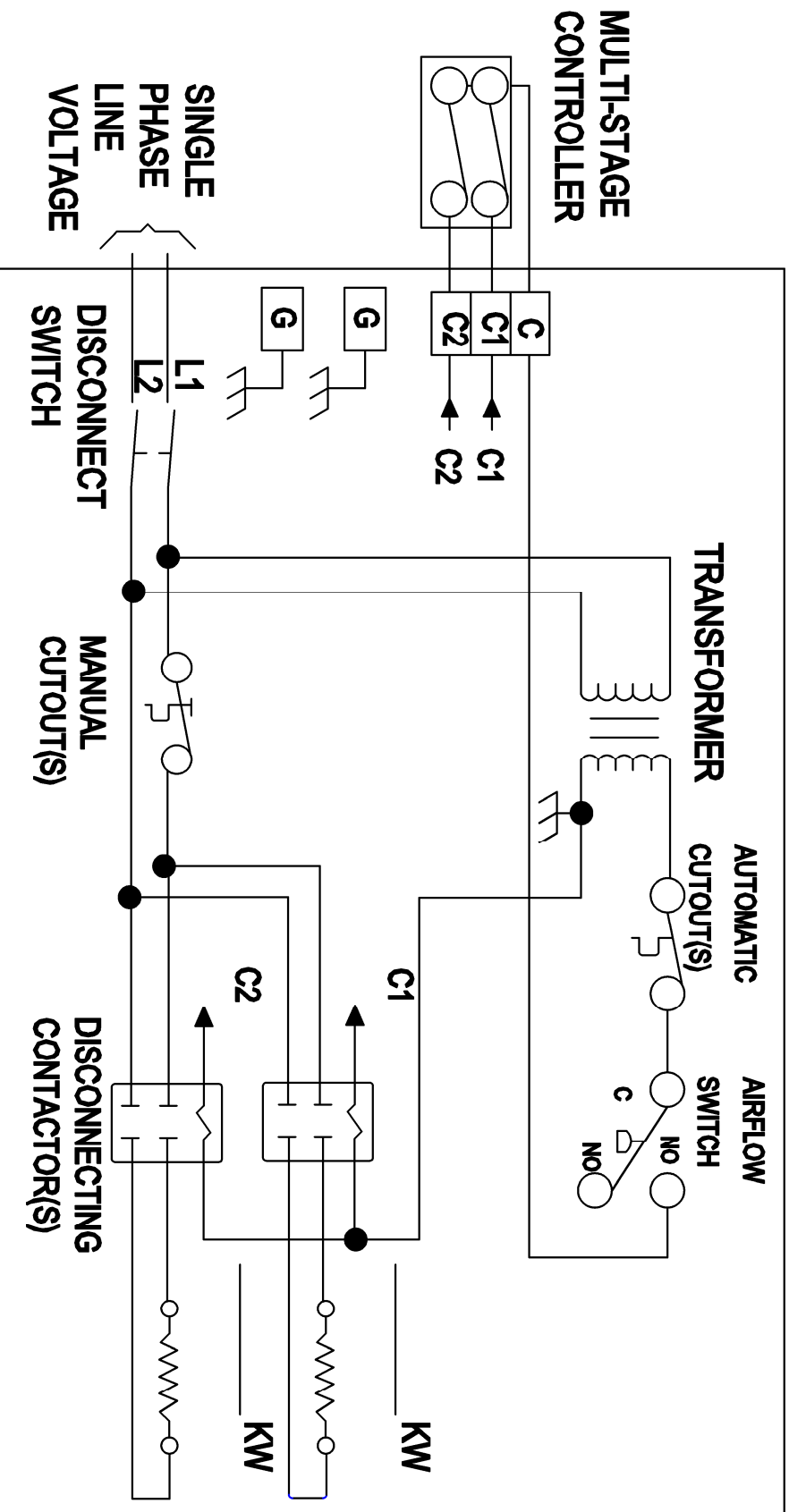


Diagram-5