

Control Option SCR, Three-Phase

Finned Tubular

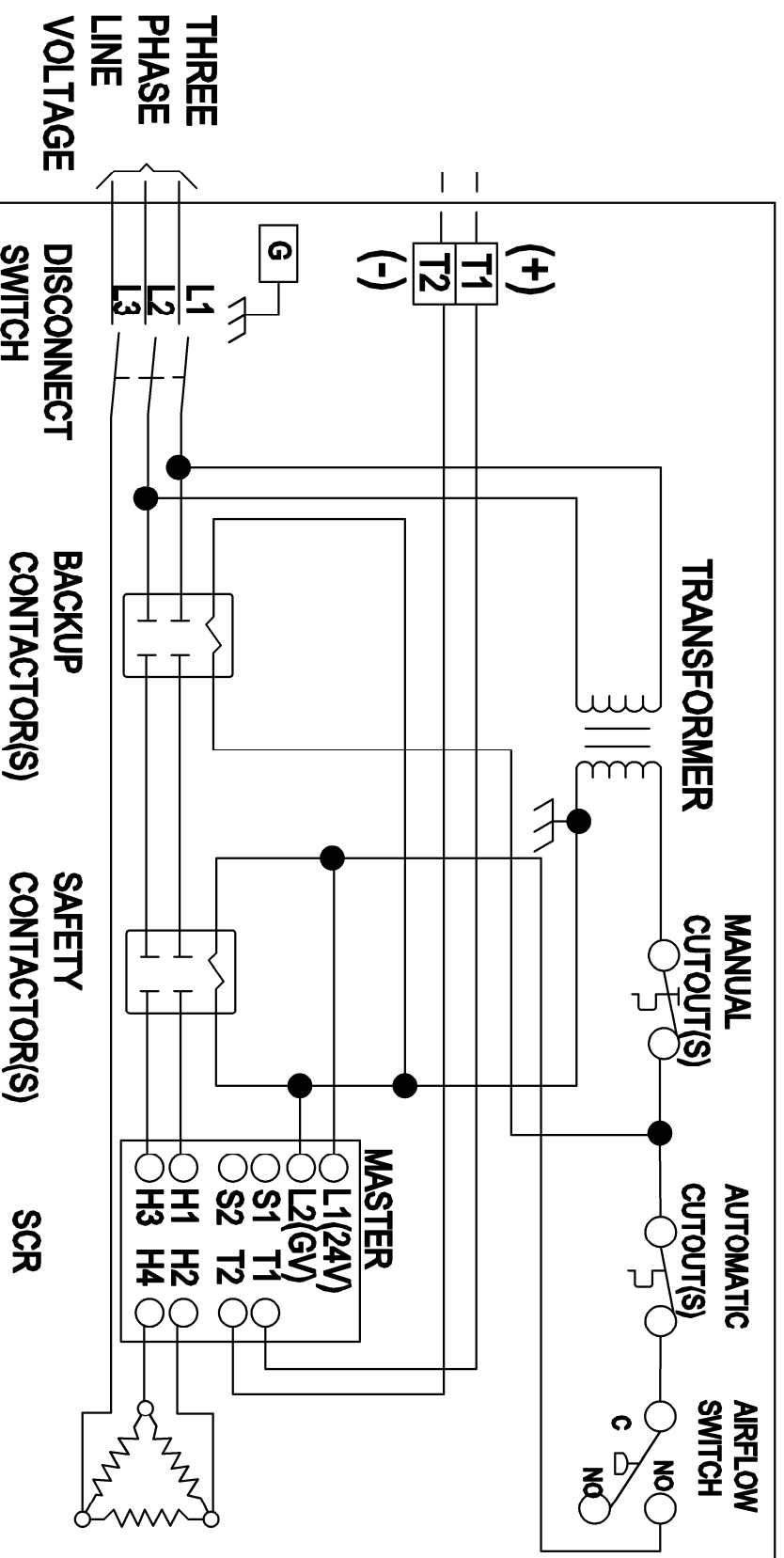


Diagram-10