

Control Option, with a Duct Thermostat, Three-Phase

Finned Tubular

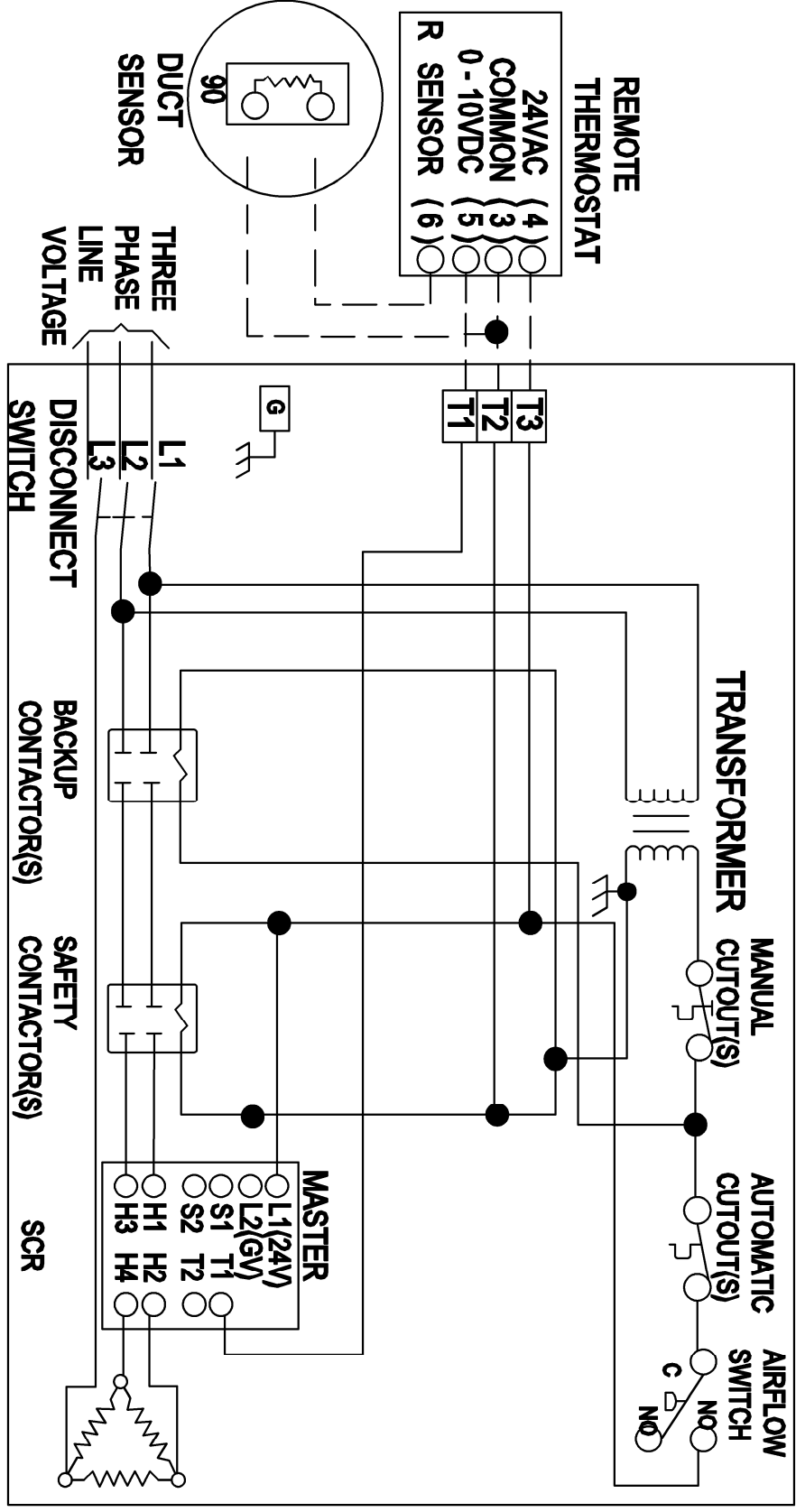


Diagram-12