

Control Option, with a Duct Thermostat, Three-Phase

Open Coil

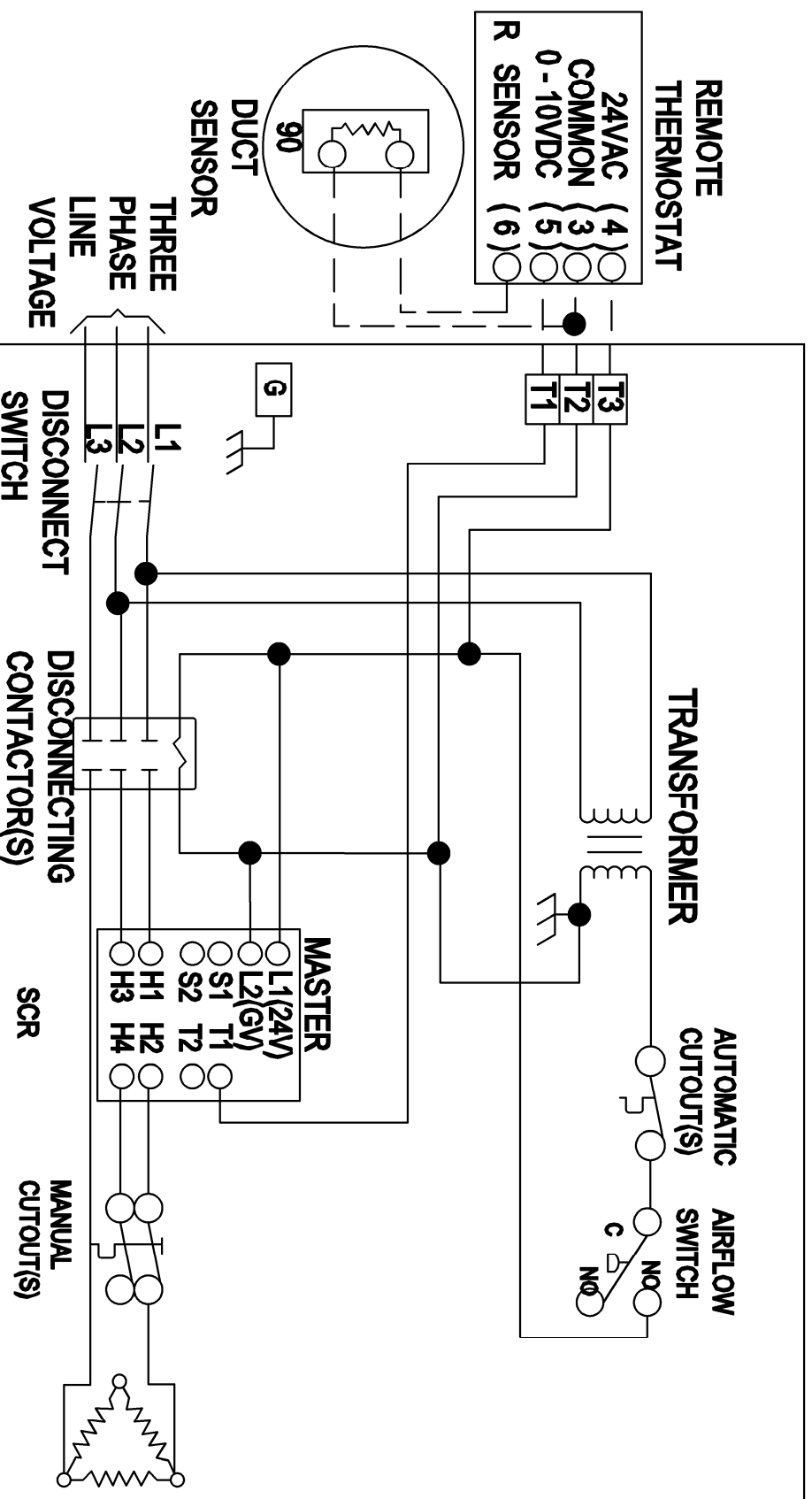


Diagram-11